

No-Slack® 5000 Series Top Plate

SLTPL5000/SLTPLH5000 (Left Side Release Shown)
SRTPL5000/SRTPLH5000 (Right Side Release)

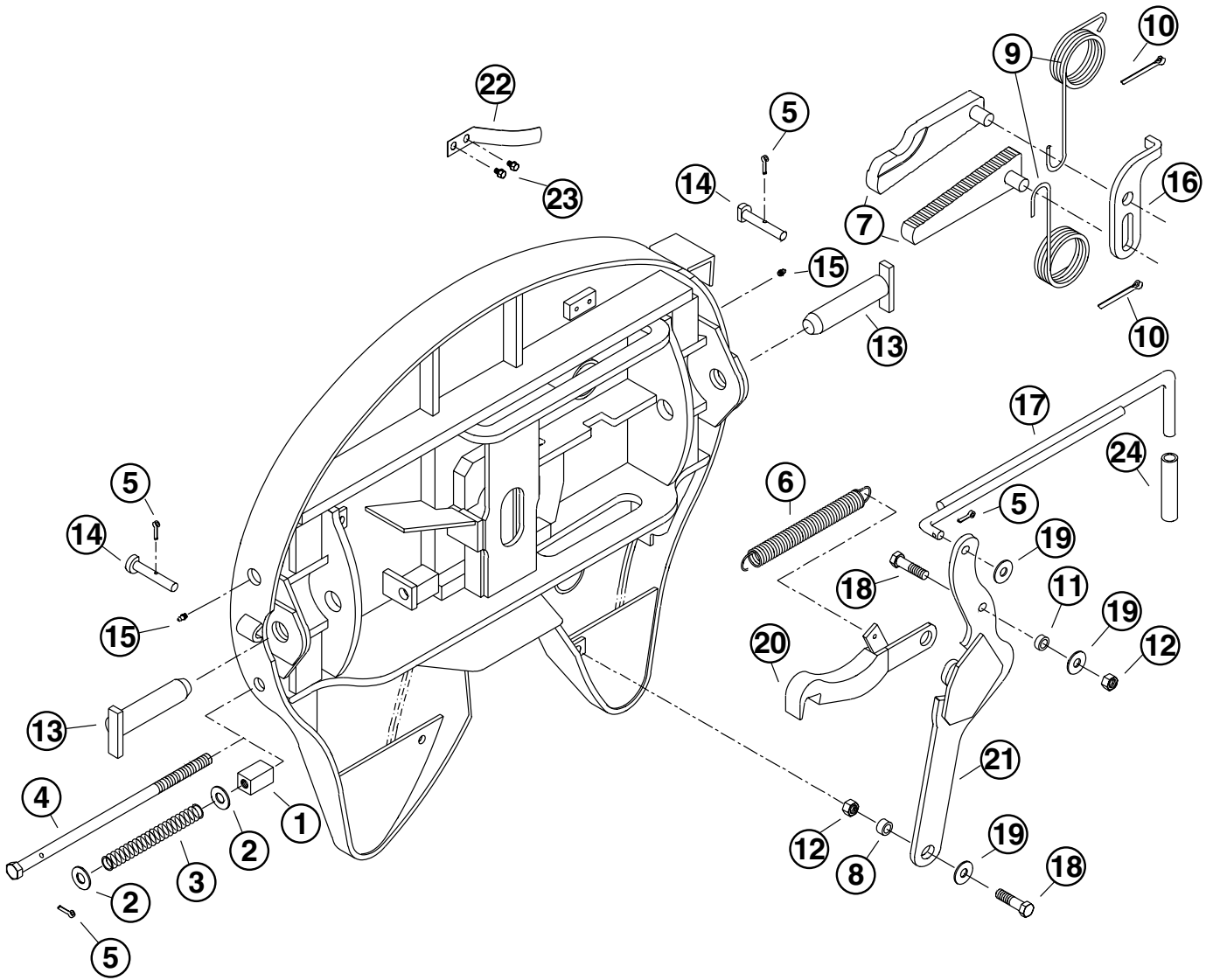


Illustration SLTPL5000

The Fontaine TechLock® System

Superior Technology Delivers
Superior Locking Performance

No-Slack® 5000 Series Top Plate

Item No.	Description	Part Number	Quantity
①	Wedge Stop Rod Nut	NUT-319	1
②	Flat Washer, 5/8", Plain	WSH-304-5	2
③	Wedge Stop Rod Spring	SPR-317	1
④	Wedge Stop Rod	ROD-1108	1
⑤	Cotter Pin, 3/16"x1"	PIN-165	4
⑥	Bumper Spring	SPR-128	1
⑦	Step Jaw and Wedge Set	WED-200-*	1
⑧	Bushing, 7/16"	BSH-115	1
⑨	Jaw and Wedge Spring Set	SPR-137-138	1
⑩	Cotter Pin, 1/4" x 3"	PIN-95	2
⑪	Bushing, 5/16"	BSH-629	1
⑫	Hex Lock Nut, 1/2"-13, Grade "C"	NUT-303-9	2
⑬	Bracket Pin	PIN -191P	2
⑭	Bracket Retainer Pin	PIN -124P	2
⑮	Grease Fitting	MSC-375	2
⑯	Timer	TMR-134-*	1
⑰	Pull Handle	PUL-5000-S*-B	1
⑱	Hex Head Bolt, 1/2" - 13 x 2", Grade 5	BLT-302-15	2
⑲	Flat Washer, 1/2" I.D. 1-3/8" O.D., Plain	WSH-304-4	7
⑳	Bumper	BPR-131-*	1
㉑	Operating Handle	OPR-5000-S*	1
㉒	Leaf Spring	SPR-569	1
㉓	Self Tapping Screw, 1/4" - 20 x 3/8"	SCR-425	2
㉔	Pull Handle Grip	PUL-GRIP	1

* Specify left side (driver's side) or right side (curb side) release by adding an "L" or "R" after Part # (Example: KIT-RPR-5092L).

Item No.	Description	Quantity
KIT-BPR-131-*		
5000 Series Bumper Kit		
6	Bumper Spring	1
8	Bushing, 7/16"	1
11	Bushing, 5/16"	1
12	Hex Lock Nut, 1/2" - 13	2
18	Hex Head Bolt, 1/2" - 13	1
19	Flat Washer, 1/2" I.D.	2
20	Bumper	1
KIT-PIN-UNVL		
Universal Series Pin and Bushing Kit		
5	Cotter Pin, 3/16" x 1"	2
13	Bracket Pin	2
14	Bracket Retainer Pin	2
Not Pictured	Bracket Bushing (pr.)	1
KIT-RPR-5092*		
5092 Repair Kit		
6	Bumper Spring	1
7	Step Jaw and Wedge Set	1
8	Bushing, 7/16"	1
9	Jaw and Wedge Spring Set	1
10	Cotter Pin, 1/4" x 3"	1
11	Bushing, 5/16"	1
12	Hex Lock Nut, 1/2" - 13	3
KIT-RBLD-5000*		
5000 Series Major Rebuild Kit		
16	Timer	1
17	Pull Handle	1
20	Bumper	1
21	Operating Handle	1
24	Pull Handle Grip	1
Kit	KIT-PIN-135P	1
Kit	KIT-ROD-1108	1
Kit	KIT-RPR-5092	1
Kit	KIT-HDW (Hardware kit)	1
KIT-ROD-1108		
Wedge Stop Rod Kit		
1	Wedge Stop Rod Nut	1
2	Flat Washer, 5/8"	2
3	Wedge Stop Rod Spring	1
4	Wedge Stop Rod	1
5	Cotter Pin, 3/16" x 1"	1
KIT-TMR-134*		
5000 Series Timer Kit		
8	Bushing	1
11	Bushing	1
12	Hex Lock Nut, 1/2" - 13	2
16	Timer	1