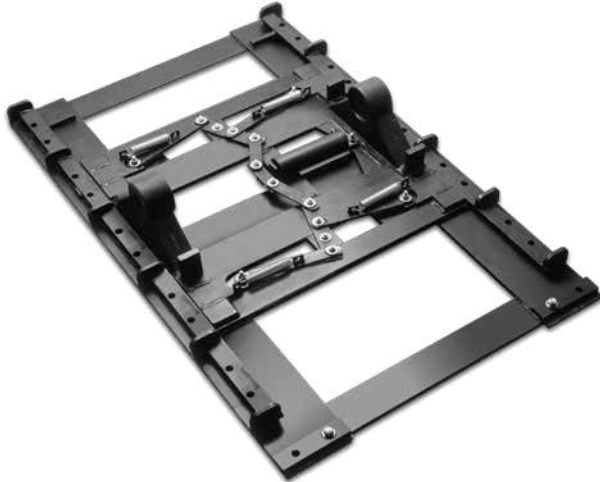


Extra heavy duty air slide bracket and rails



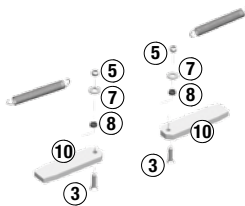
## Repair

### Bracket pin and bushing kit (KIT-PIN-XHD)

Item	Description	Qty.
	1-piece bushing	2
	Bracket pin	2
	Bracket retainer pin	2
	Cotter pin	2

### Repair kit (KITRPAWB) 2 required for AWX

③	Flat head socket, 1/2" -13 x 2", grade 5	2
⑤	Hex jam nut, 1/2" -13, NY	2
⑦	Flat washer, 1/2" I.D., .132 Type A	2
⑧	Spacer bushing	2
⑩	Locking wedge slide assembly	2

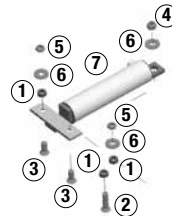


To repair use two **KITRPAWB** for double locks

## Replace

### Cylinder kit (CYL-XAWX)

Item	Description	Qty.
①	Bushing, 5/16"	3
②	Hex Bolt, 1/2"-13 X 1"	2
③	Hex Bolt, 1/2"-13 X 1.5"	1
④	Hex jam nut, 1/2" -13, grade "B"	1
⑤	Hex lock nut, 1/2" -13, grade "C"	3
⑥	Washer 1/2"	
⑦	XHD Air Cylinder	1



Slide bracket Part Number	Mounted Height 5092*	Mounted Height H7*
<b>BKTAWX9PT</b>	9-1/2"	8-3/4"
<b>BKTAWX10PT</b>	10-1/2"	9-3/4"
<b>BKTAWX11PT</b>	11-1/2"	10-3/4"

\*Height is measured from top of truck frame to top of fifth wheel



Slide rails Part Number	Slide Travel	Overall Length
<b>SLR12X</b>	12"	54"
<b>SLR24X</b>	24"	66"
<b>SLR36X</b>	36"	78"
<b>SLR48X</b>	48"	90"

