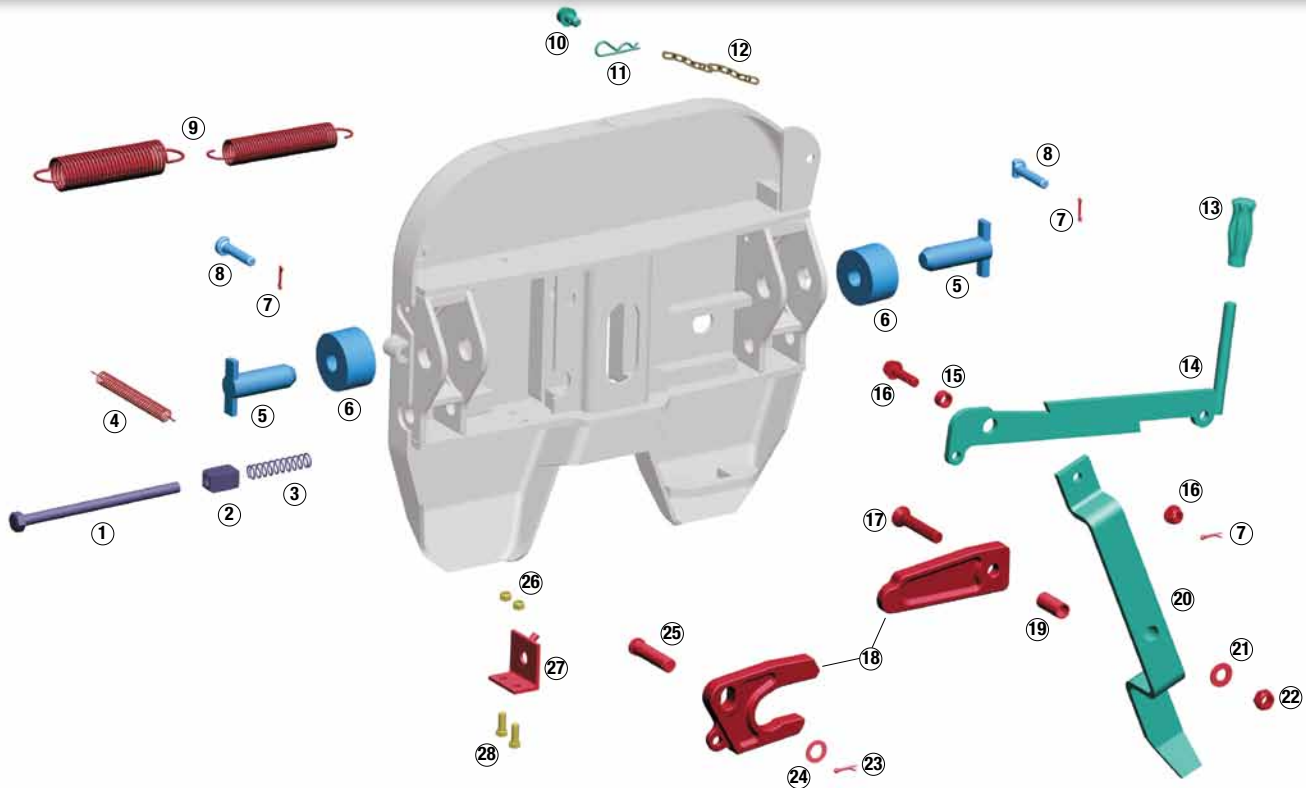


CD 700/600 series custom duty top plate kits



Rebuild kit (KIT-RPR-S500)

| Item | Description | Quantity |
|------|---|----------|
| ④ | Jaw spring | 1 |
| ⑦ | Cotter pin, 3/16" x 1" | 3 |
| ⑨ | Pull handle spring set | 1 |
| ⑮ | Bushing, 7/16" | 1 |
| ⑯ | Hex head flanged bolt, nut | 1 |
| ⑰ | Flat head socket, 5/8"-11 x 3-1/2", grade 5 | 1 |
| ⑱ | Jaw and wedge set | 1 |
| ⑲ | Bushing | 1 |
| ⑳ | Flat washer, 5/8", plain | 1 |
| ㉑ | Hex lock nut, 5/8" -11, grade "B" | 1 |
| ㉒ | Cotter pin, 5/32" x 1" | 1 |
| ㉓ | Flat washer 3/4", plain | 1 |
| ㉔ | Clevis pin, 3/4" x 3" | 1 |
| ㉘ | Wedge-stop rod guide | 1 |

Wedge-stop rod kit (KIT-CD-ROD)

| Item | Description | Quantity |
|------|-----------------------|----------|
| ① | Wedge-stop rod | 1 |
| ② | Wedge-stop rod nut | 1 |
| ③ | Wedge-stop rod spring | 1 |

Wedge-stop rod guide kit (KIT-CD-STOP)

| Item | Description | Quantity |
|------|---------------------------------------|----------|
| ㉖ | Hex lock nut, 3/8" -16, grade 5 | 2 |
| ㉗ | Wedge-stop rod guide | 1 |
| ㉘ | Hex head bolt, 3/8" -16 x 1", grade 2 | 2 |

Bracket pin kit (KIT-CD-PIN-224)

| Item | Description | Quantity |
|------|------------------------|----------|
| ⑤ | Bracket pin | 2 |
| ⑥ | Bracket bushing | 2 |
| ⑦ | Cotter pin, 3/16" x 1" | 2 |
| ⑧ | Bracket retainer pin | 2 |

Lock pin kit for 700 (KIT-CD7-LOCKPIN) Lock pin kit for 600 (KIT-CD6-LOCKPIN)

| Item | Description | Quantity |
|------|-----------------|----------|
| ⑩ | Lock pin | 1 |
| ⑪ | Hair pin cotter | 1 |
| ⑫ | Chain | 1 |

Handle kit for 700 (KIT-CD-7HDL) Handle kit for 600 (KIT-CD-6HDL)

| Item | Description | Quantity |
|------|---|----------|
| ⑦ | Cotter pin, 3/16" x 1" | 3 |
| ⑩ | Lock pin | 1 |
| ⑪ | Hair pin cotter | 1 |
| ⑫ | Chain | 1 |
| ⑬ | Handle grip | 1 |
| ⑭ | Pull handle | 1 |
| ⑮ | Bushing, 7/16" | 1 |
| ⑯ | Hex head flanged bolt, nut | 1 |
| ⑰ | Flat head socket, 5/8"-11 x 3-1/2", grade 5 | 1 |
| ⑲ | Bushing | 1 |
| ㉓ | Operating handle | 1 |
| ㉔ | Flat washer, 5/8", plain | 1 |
| ㉖ | Hex lock nut, 5/8" -11, grade "B" | 1 |
| ㉗ | Cotter pin, 5/32" x 1" | 1 |

Custom Duty Assemblies

SLCD7FM5750* . . . CD700 with bracket for stationary mounting
 SLCD7PA6125* . . . CD700 with a 6.125" plate mount
 CD7AWB675024 . . . CD700 with a 6.75" air slide bracket and 24" slide rail

*Some welding required.

Custom Duty Service Parts

SLTPLCD700 CD700 replacement fifth wheel top plate
 BKTCDPLT Bracket and plate for the SLCDPA6125
 BKTCD Bracket for the SLCD7FM5750
 CDBKTAWB6PT CD air slide bracket 6.75" height
 CDASYAWB624 6.75" CD AWB bracket with a 24" CD slide rail
 CDSL24B 24" CD side rail
 CYL-COMP AWB air cylinder
 KIT-AWB-WEDGE Locking wedge (pair)

