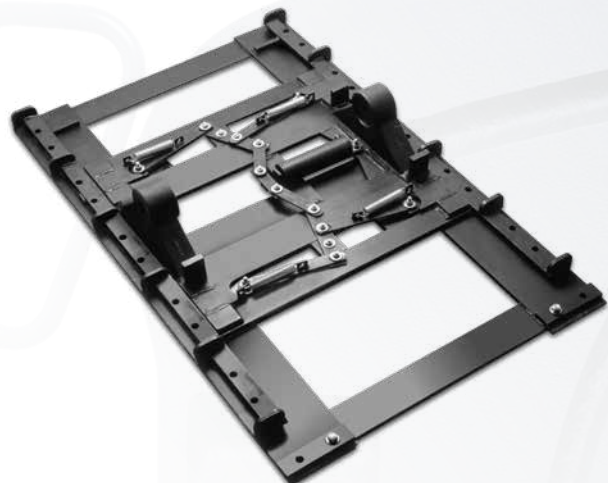


AWX

Extra heavy duty air slide bracket and rails



Repair

Bushing kit (BSH-150)

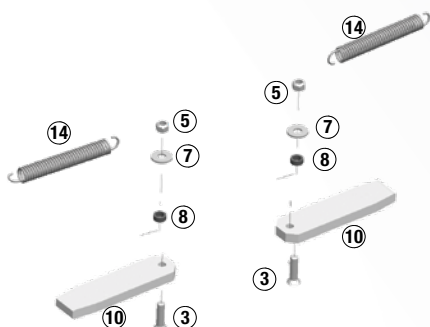
1-piece bushing



Repair kit (KITRPAWB)

2 required for AWX

- | | |
|--|---|
| ③ Flat head socket, 1/2" -13 x 2", grade 5 | 2 |
| ⑤ Hex jam nut, 1/2" -13, NY | 2 |
| ⑦ Flat washer, 1/2" I.D., .132 Type A | 2 |
| ⑧ Spacer bushing | 2 |
| ⑩ Locking wedge slide assembly | 2 |
| ⑭ Locking member spring | 2 |

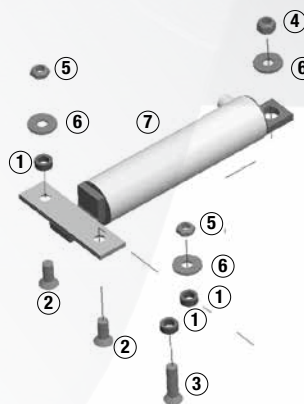


*To repair, use two
KITRPAWB for
double locks*

Replace

Cylinder kit (CYL-XAWX)

Item	Description	Qty.
①	Bushing, 5/16"	3
②	Hex Bolt, 1/2"-13 X 1"	2
③	Hex Bolt, 1/2"-13 X 1.5"	1
④	Hex jam nut, 1/2" -13, grade "B"	1
⑤	Hex lock nut, 1/2" -13, grade "C"	3
⑥	Washer 1/2"	3
⑦	XHD Air Cylinder	1



*Individual brackets and rails are obsolete, see
page 12-13 for complete assembly options.*

