

TECHNICAL BULLETIN

• TB-009 • Oct 2008 •

No-Slack® Top Plate Installation

This Technical Bulletin supercedes Technical Bulletins TB-001 and TB-009 dated Nov. 2000. It covers the replacement of your Fontaine® fifth wheel with the current No-Slack® 6000, 7000 or 7000CC top plate (both the standard and air actuated).

When replacing a Fontaine fifth wheel with the current No-Slack® 6000, 7000 or 7000CC top plate you will need to modify your mounting bracket depending on the style and age of the mounting bracket. This modification requires removing an existing rocker block and installing a new rocker block. Brackets requiring modification include the following mounting styles and heights manufactured prior to 1996:

Table 1

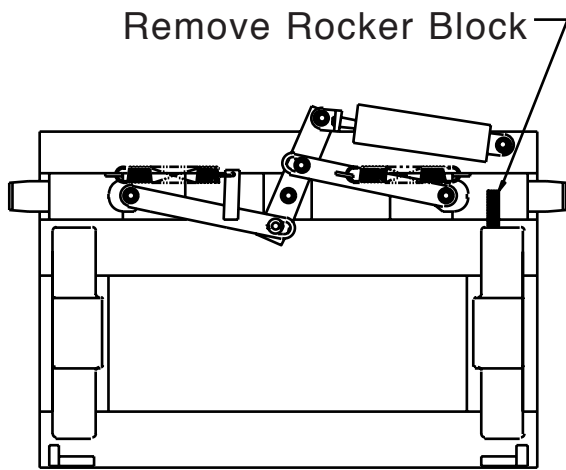
Mounting Style	Mounting Height	Rocker Block Height
Adjustable Flat Plate (AFP)	6-3/4"	2-3/8"
	7-3/4"	3-1/8"
Air & Manual Slide (AWB, AWS*, & MWS)	6-3/4"*	1-1/2"
	7-3/4"	2"
Angle Mount (A36)	6-1/4"	1-1/2"
	7-1/4"	2"
D3 Frame Mount	6-3/8"	2-3/8"
	7-3/8"	3-1/8"
Frame Mount (FMA)	6-3/8"	2-3/8"
	7-3/8"	3-1/8"

* The No-Slack® 6000, 7000 or 7000CC top plate cannot be used on AWS 6-3/4" mounting heights.

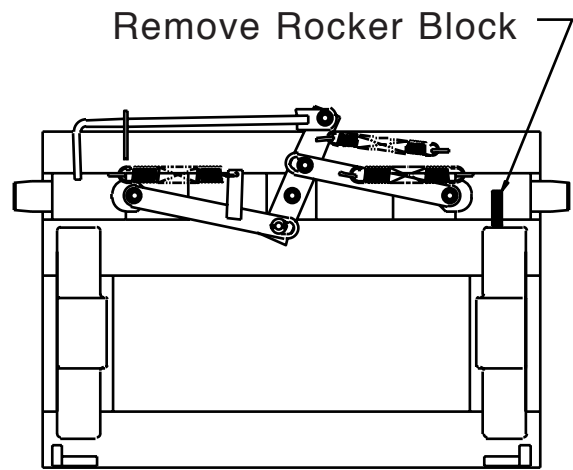
MODIFICATION INSTRUCTIONS

1. Find your bracket style requiring modification in Figure 1 and remove the existing rocker block as shown.
2. Determine the height of the new rocker block required for your mounting style and height from Table 1.
3. The rocker block must be a piece of 1" square steel bar cut to the appropriate length. If you desire, Fontaine Fifth Wheel will provide the bar to you in a 3-1/8" length Contact Fontaine Parts Connection to have the bar shipped. Otherwise you may obtain the bar yourself and cut it to the appropriate length for installation.
4. With your Fontaine No-Slack® fifth wheel installed, locate the new rocker block as shown on the appropriate bracket model configuration in Figure 2. Tack weld the block and tilt the fifth wheel forward to make sure it contacts the new rocker block and clears all parts of the locking system. Check to make sure there is no interference with the air cylinder (on air operated fifth wheel models) or the slider's latching mechanism (if being mounted on a slide). Complete welding the rocker block in place.

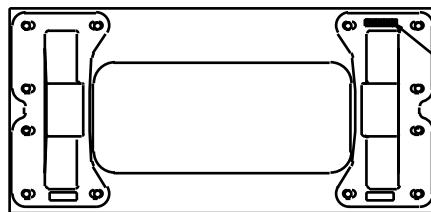
Figure 1



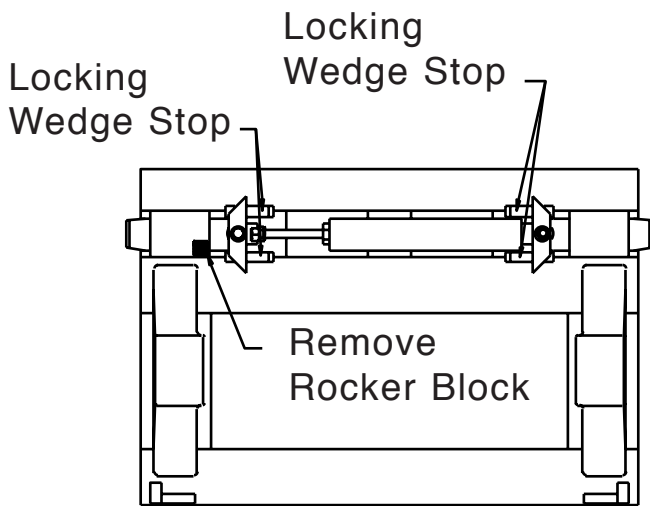
AWB Slide



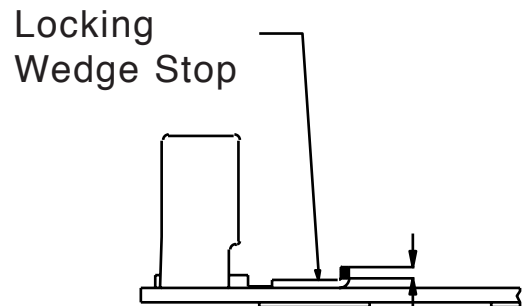
MWS Slide



**Retractable Handle
Fifth Wheel AFP &
FMA Style Brackets**



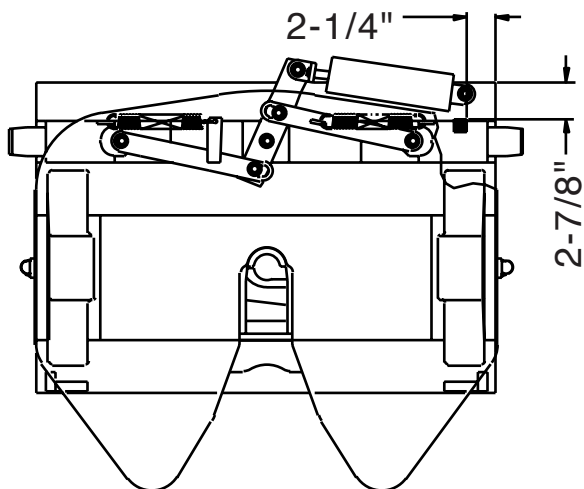
AWS Slide



Trim 1/2" off vertical leg

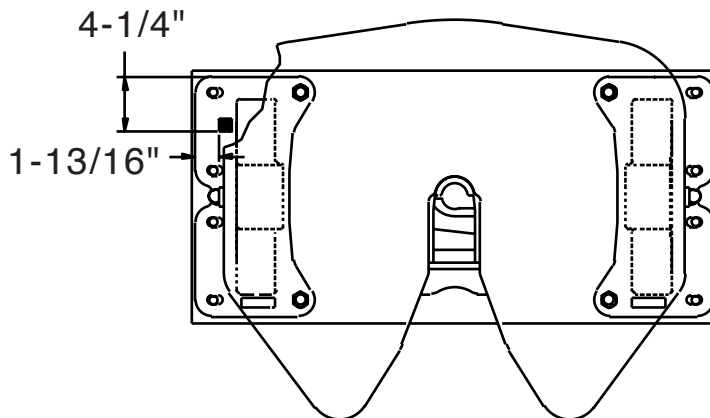
AWS Slide

Figure 2

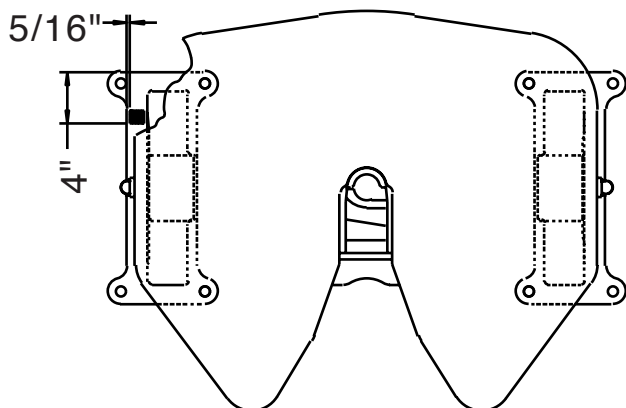


**Air Slide (AWB) (AWS*)
or Manual Slide (MWS)**

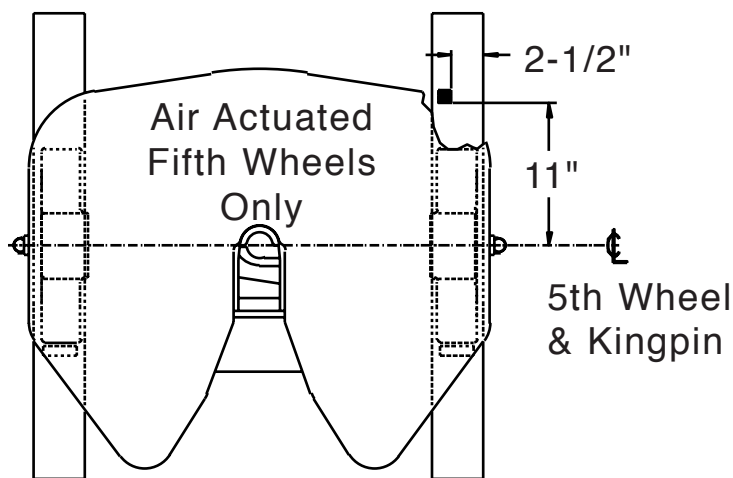
* The No-Slack® 6000, 7000 or 7000CC
cannot be used on AWS 6-3/4"
mounting heights.



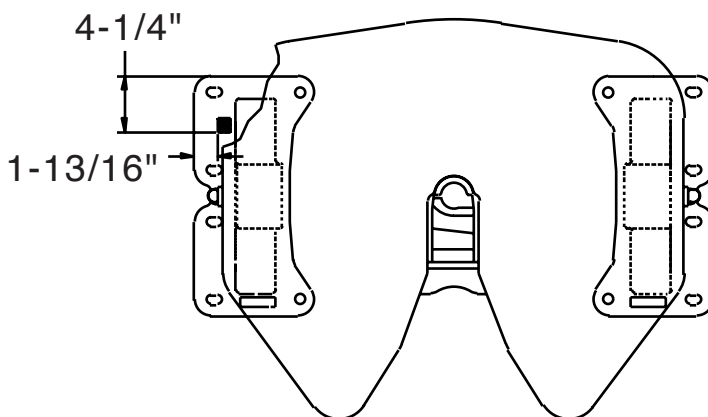
Adjustable Flat Plate (AFP)



D3 Frame Mount



Angle Mount (A36)



Frame Mount (FMA)