

**TECHNICAL BULLETIN**

TB-026 • Revised May 2005

**Installation Instructions**

Air Actuated Fifth Wheel Cylinder Kit  
For The No Slack® II Fifth Wheel  
(CYL-AA-WTY)

Parts provided in this kit	QTY
No Slack® II AA cylinder	1
3/8" Shoulder Bolt	1
3/8" Washer	1
3/8" Hex Locknut	1
1/2" Hex Locknut	1
1/2" Hex Bolt	1

**Installation Instructions:**

1. Remove the existing air cylinder (Please review diagram 2 for more information).
2. Remove the exhaust valve from the old cylinder and insert into the new cylinder (Please review diagram 1 for more information).
3. Install the new cylinder using the mounting hardware that is included (Orient cylinder as shown in diagram 2).
4. Insert the airline supply into the quick disconnect on the exhaust valve.
5. Open and close the fifth wheel using the air cylinder to ensure proper function.
6. Tilt the fifth wheel forward to ensure that the cylinder and/or air supply line does not interfere with another component.

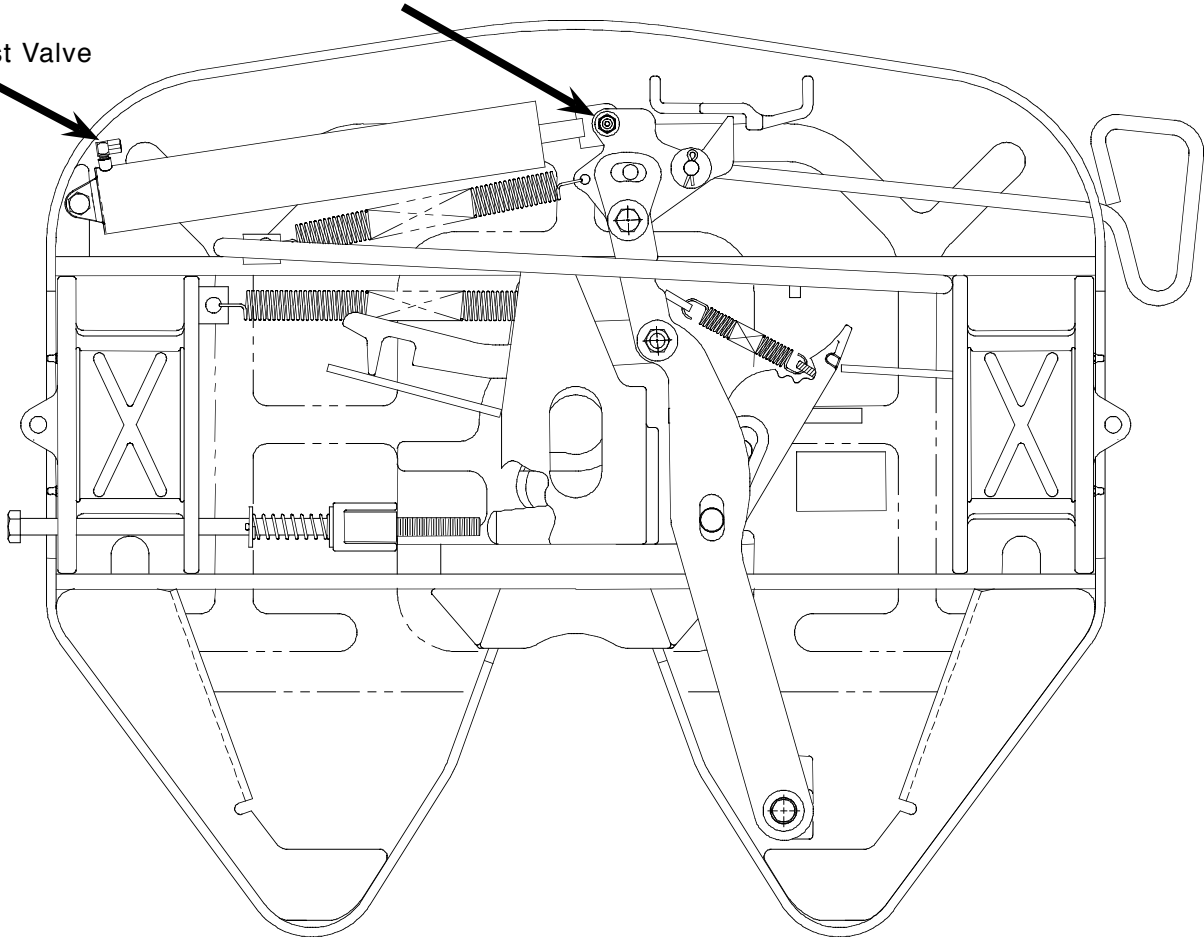
Note: Valves and airline are available through Fontaine. Order a KIT-AIR-DASH for mounting the pull valve in the dash and plumbing the airline to the cylinder.

(Over)

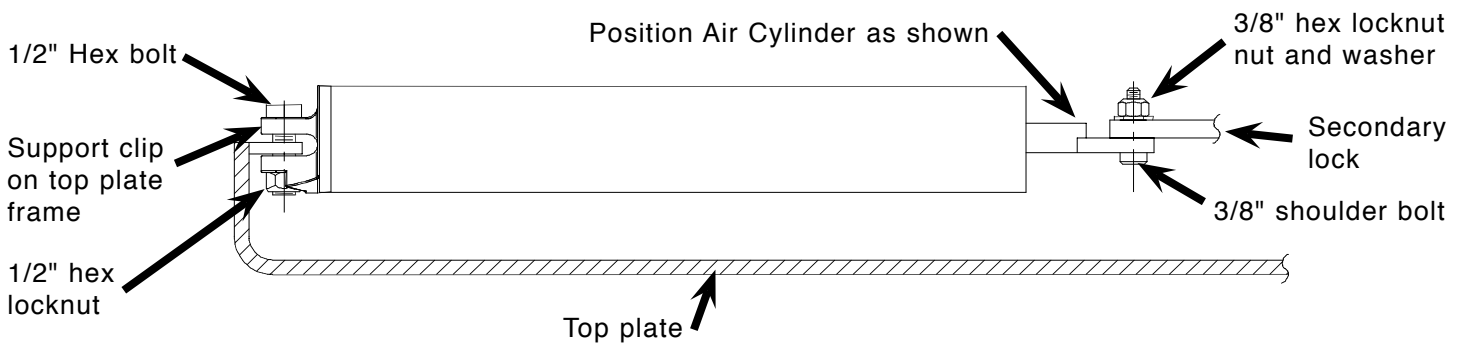
### Diagram 1

Shoulder Bolt attaches to the Secondary Lock

Exhaust Valve



### Diagram 2



**Important: Hand-tighten 1/2" hex bolt using a torque wrench (torque to 30-35 ft\* lbs).  
Hand-tighten 3/8" shoulder bolt using a torque wrench (torque to 20-28 ft\* lbs).  
Do not over torque!**