

TECHNICAL BULLETIN

TB-027 • March 2002

Installation Instructions

Light Weight Slide Bracket Cylinder (LWS)
Part Number CYL-LWS

Parts provided	QTY
LWS Air Cylinder	1
Hex Bolt 1/2" –12	2
1/2" Hex Lock Nut	2
Flat Washer	2
Spacer Bushing	2

Installation Instructions:

Attention!!! The LWS air cylinder is spring loaded.

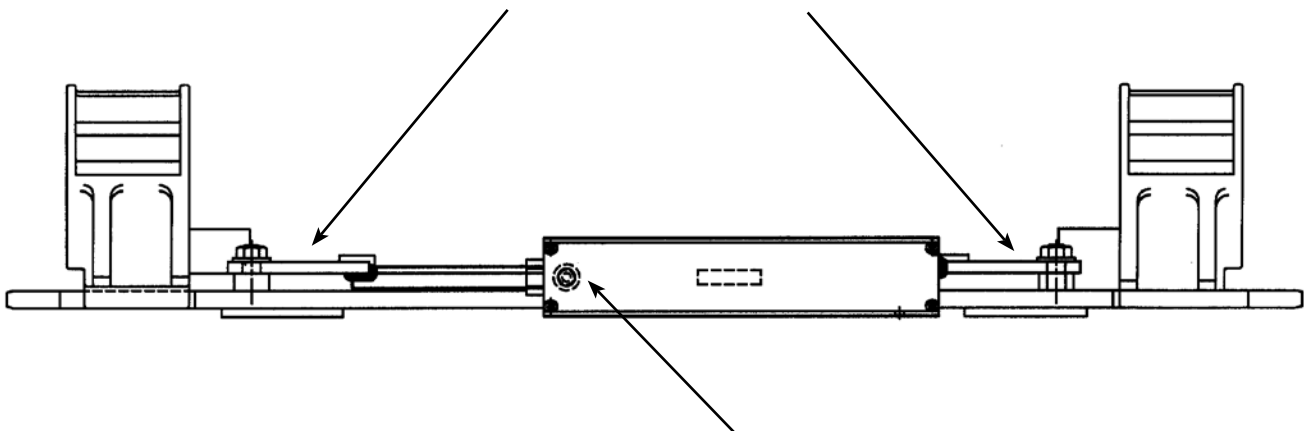
Use caution while removing the old cylinder and installing the new cylinder.

1. Remove fifth wheel from slide bracket. (This installation can be done with the fifth wheel installed on the 7.75", 8.75" & 9.75" slide bracket heights but it is more difficult.)
2. Disconnect the air line from the old LWS air cylinder.
3. Unbolt the ends of the air cylinder. (Remove the 1/2" lock nuts)
4. Pry up on one end of the air cylinder. Lifting the cylinder mounting tab over the 1/2" bolt will relieve the preload on the air cylinder.
5. Remove the old LWS air cylinder.
6. Install the new LWS cylinder. Please review information found on diagram 1 on next page.
7. Hook up the air supply line and activate the cylinder. The cylinder will retract allowing you to bolt the cylinder to the locking wedges. Make sure the bushings are used when attaching the cylinder. Use the new mounting hardware included in the kit.
8. Cycle the locking assembly at least five times to ensure proper function.

(Over)

Diagram 1

Attention!!! The tees on each end of the cylinder are offset. This offset allows the cylinder to sit as low as possible in the slide bracket assembly. Improperly installing this air cylinder could cause interference with the functioning of the fifth wheel.



Cylinder air line connection will always face towards the cab of the truck.